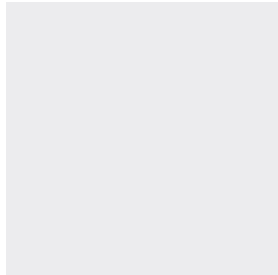
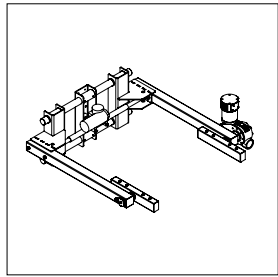
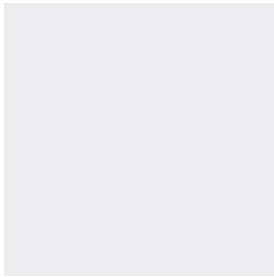
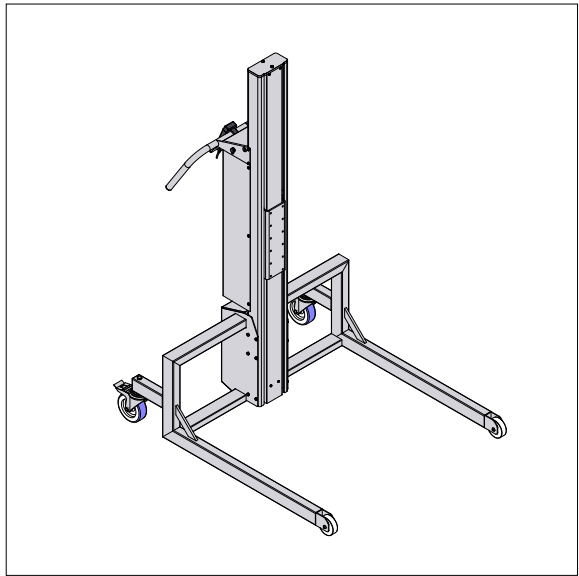
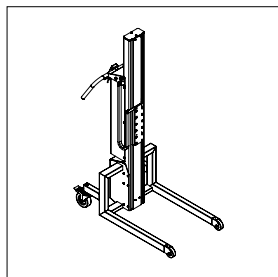
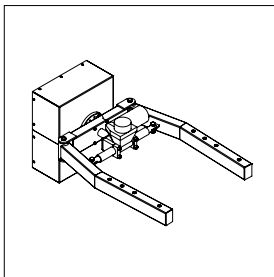
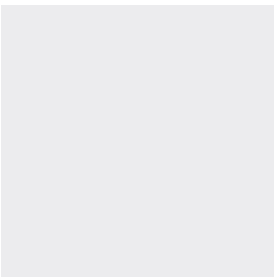
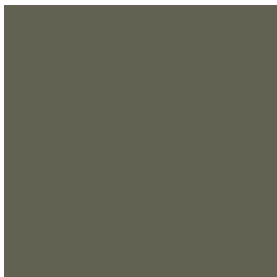
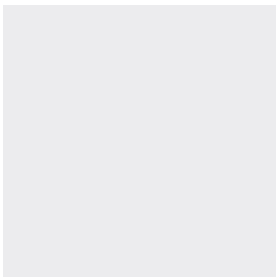


# INOX 200 LIFTERS & TOOLS

- DRAWINGS & MEASUREMENTS

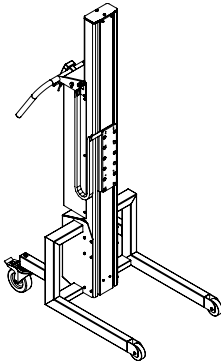


ASP bvba  
Baanakkerweg 3  
B-3060 Bertem

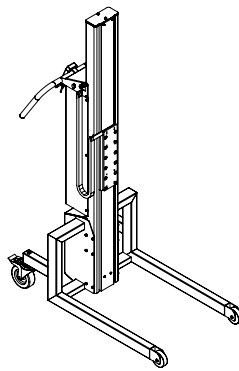
+32 (0)16 36 12 24  
info@asp-online.be  
www.asp-online.be

# INOX 200

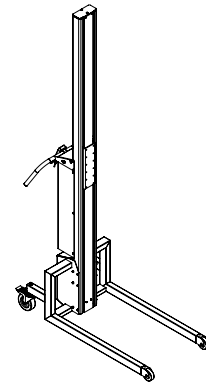
## 3 MAST HEIGHTS AND 6 LEG/WHEEL OPTIONS



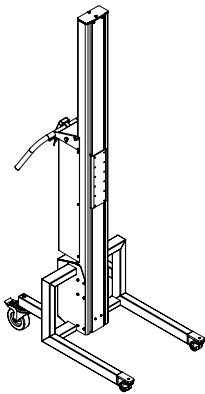
INOX 200 L/M/H Leg 1



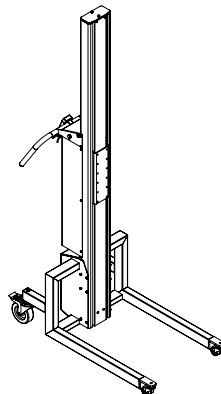
INOX 200 L/M/H Leg 2



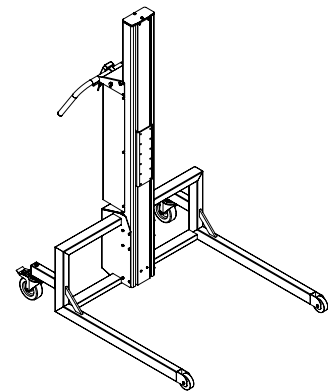
INOX 200 L/M/H Leg 3



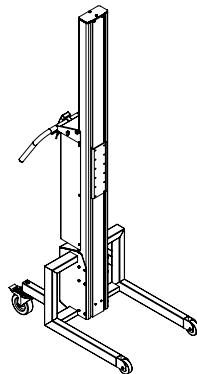
INOX 200 L/M/H Leg 4



INOX 200 L/M/H Leg 5



INOX 200 L/M/H Leg 6

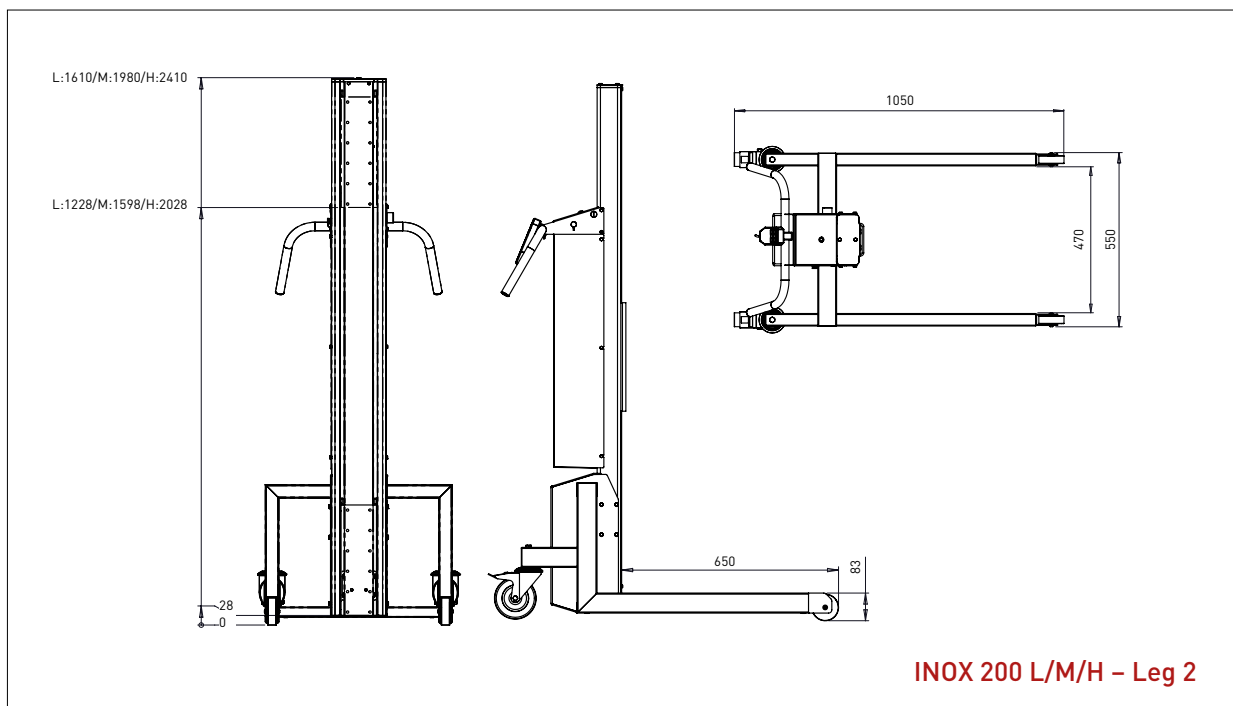
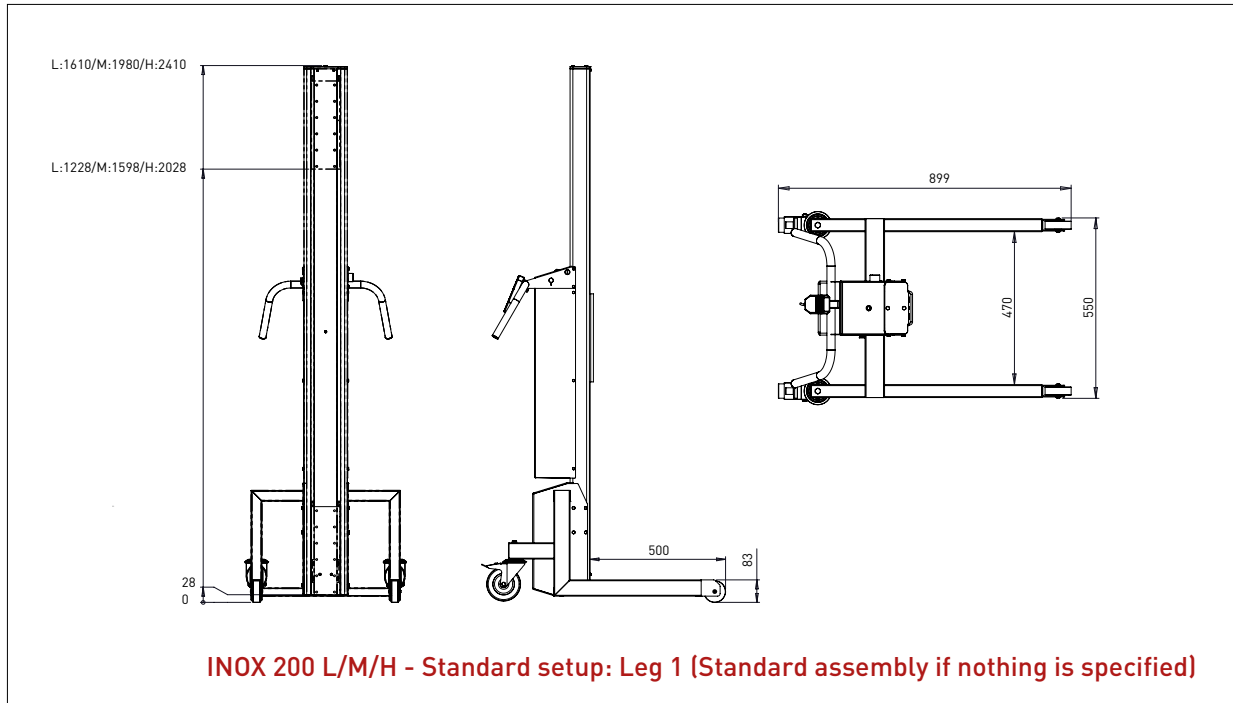


INOX 200 L/M/H3

# INOX 200

## LIFTERS - DRAWINGS & MEASUREMENTS

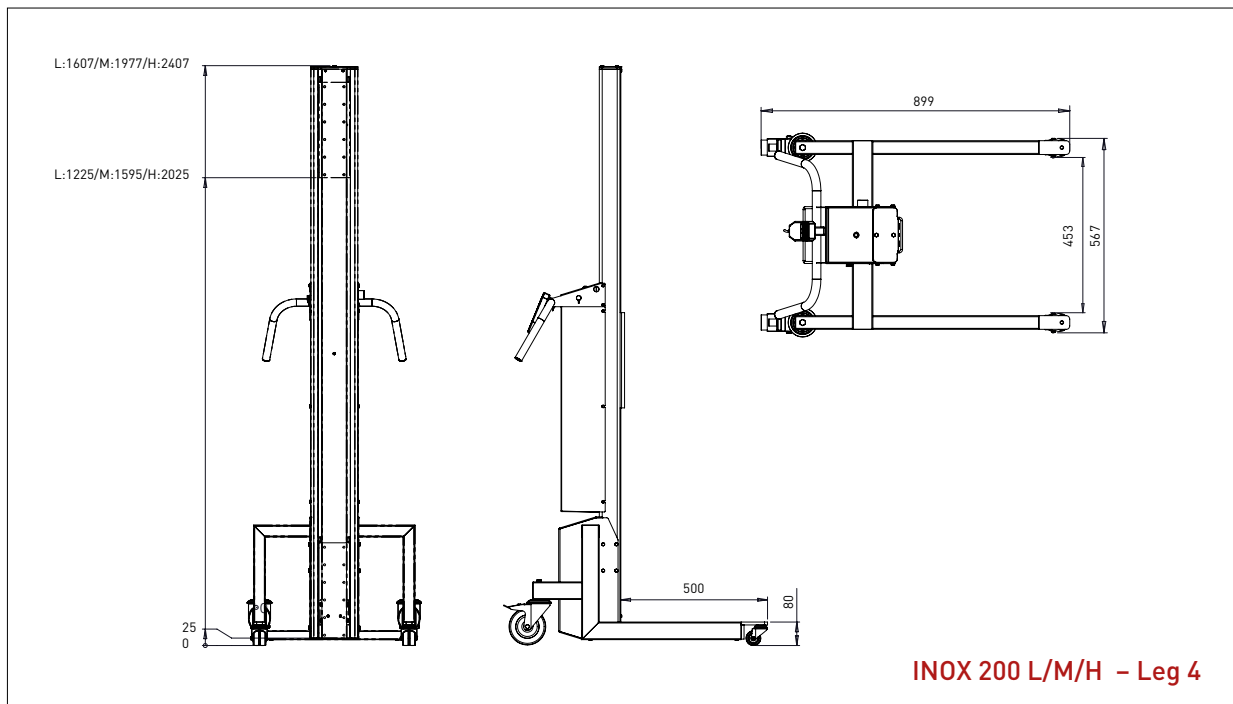
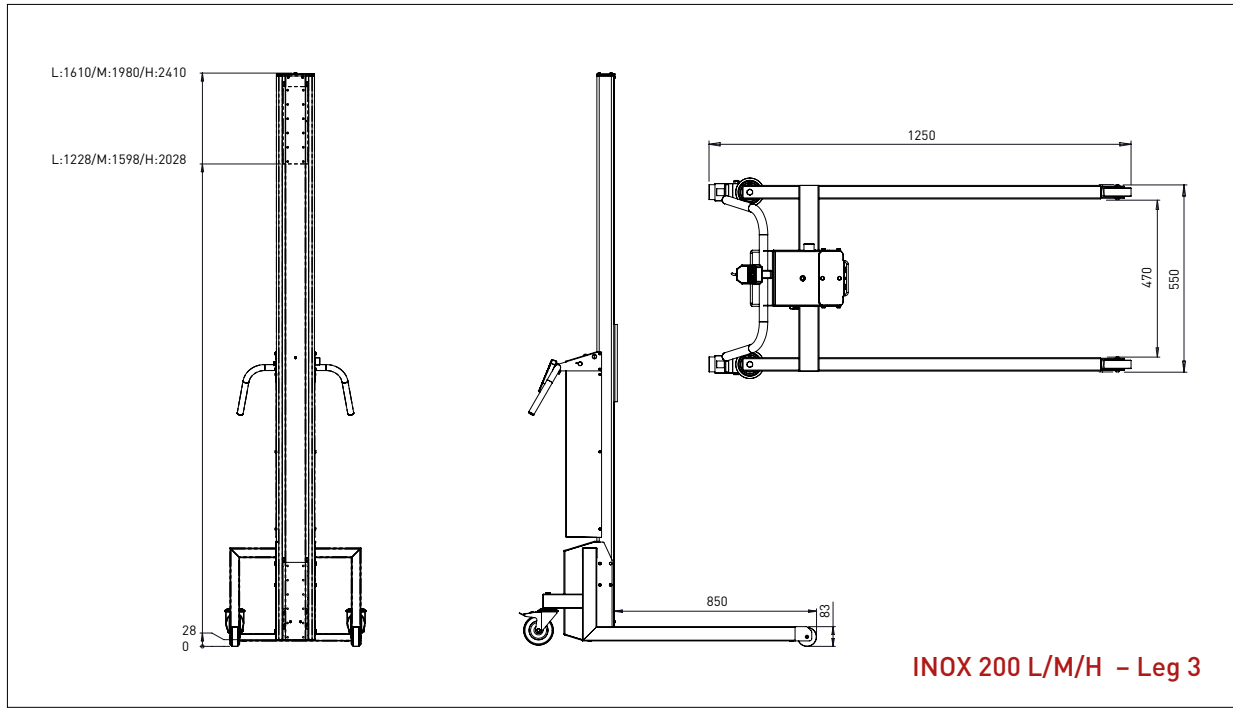
- All measurements in mm



# INOX 200

## LIFTERS - DRAWINGS & MEASUREMENTS

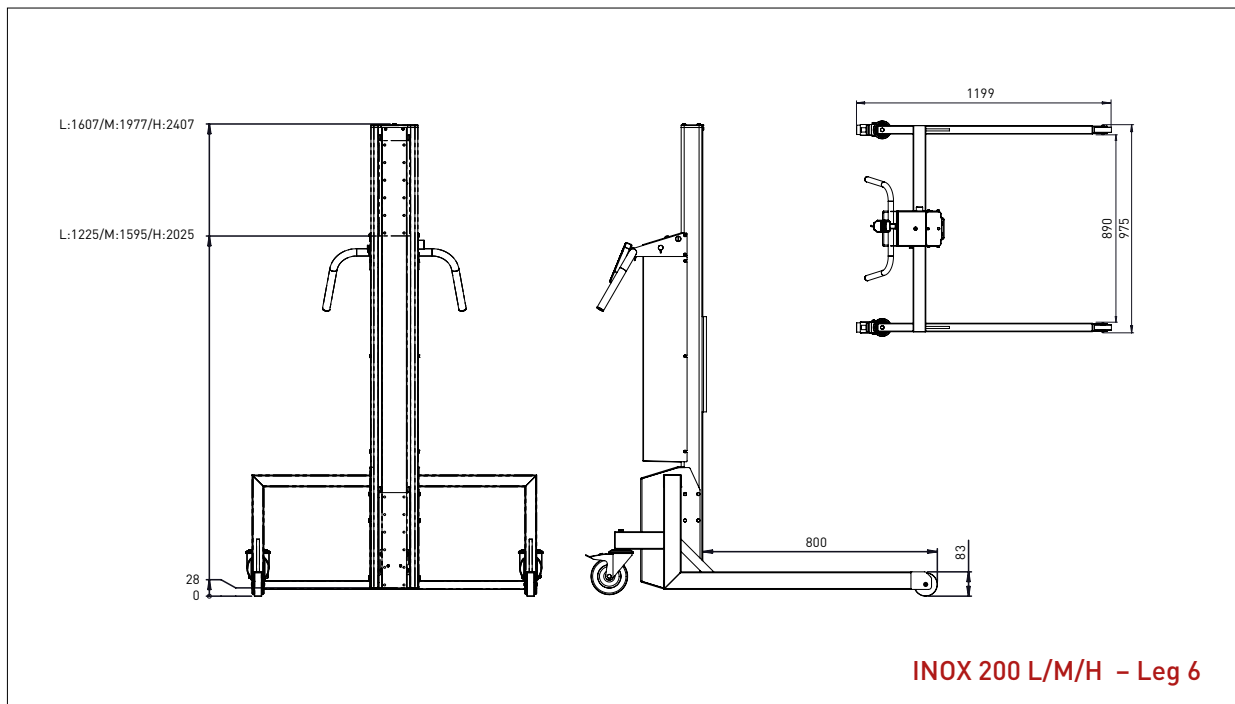
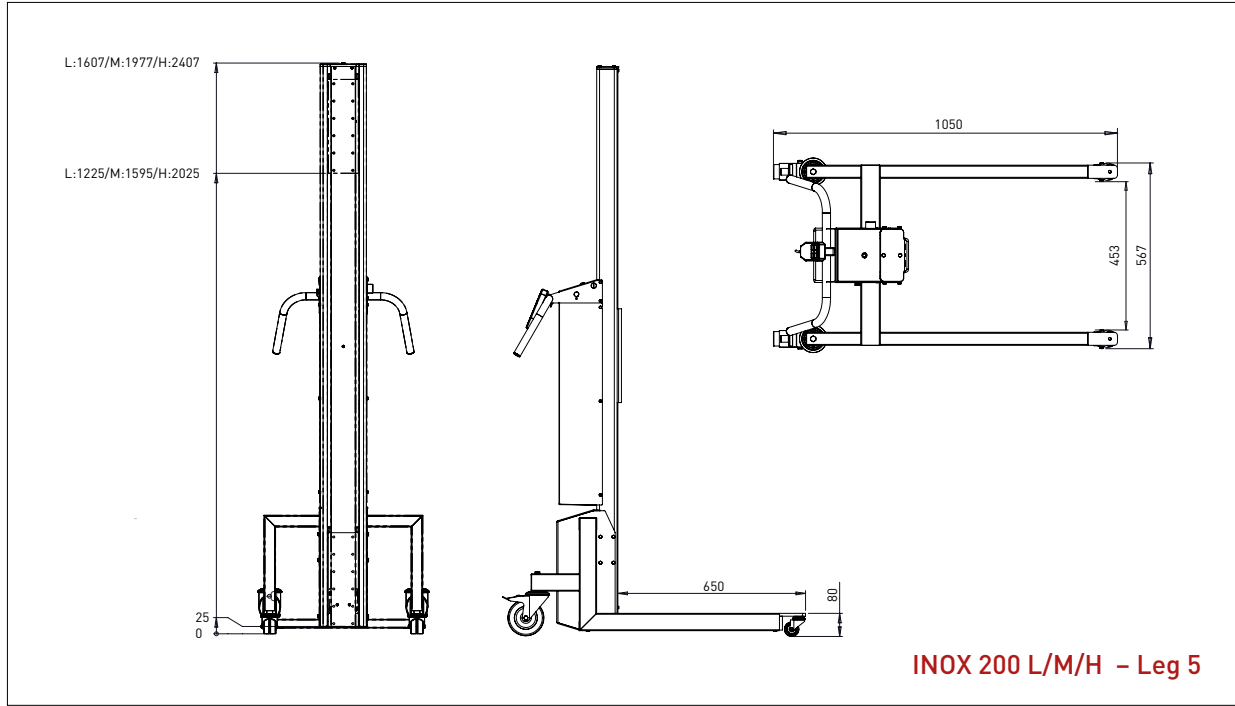
- All measurements in mm



# INOX 200

## LIFTERS - DRAWINGS & MEASUREMENTS

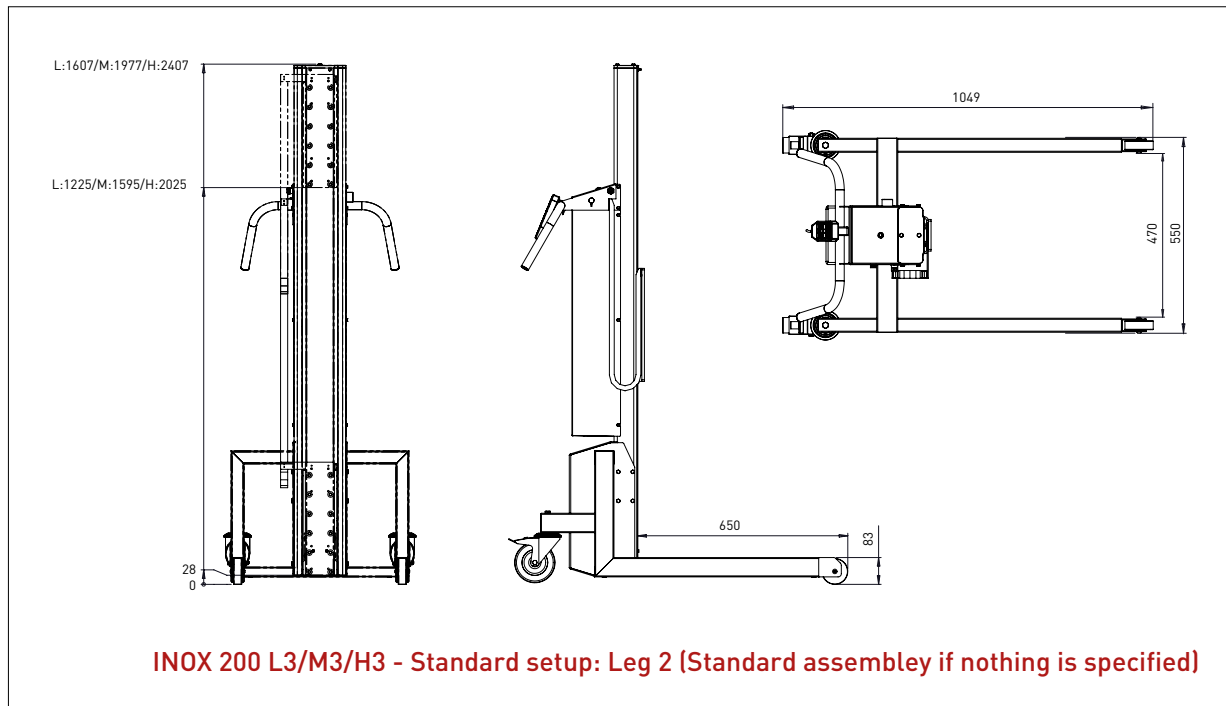
- All measurements in mm



# INOX 200 FOR ELECTRIC TOOLS

## LIFTERS - DRAWINGS & MEASUREMENTS

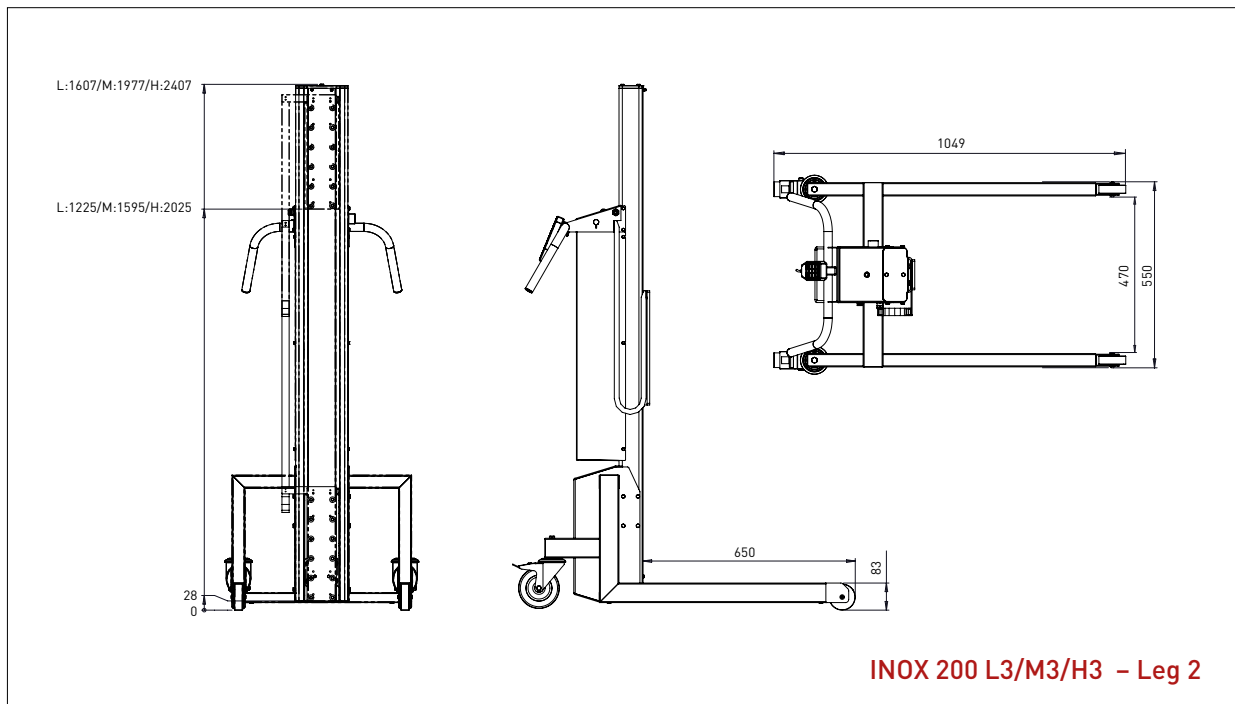
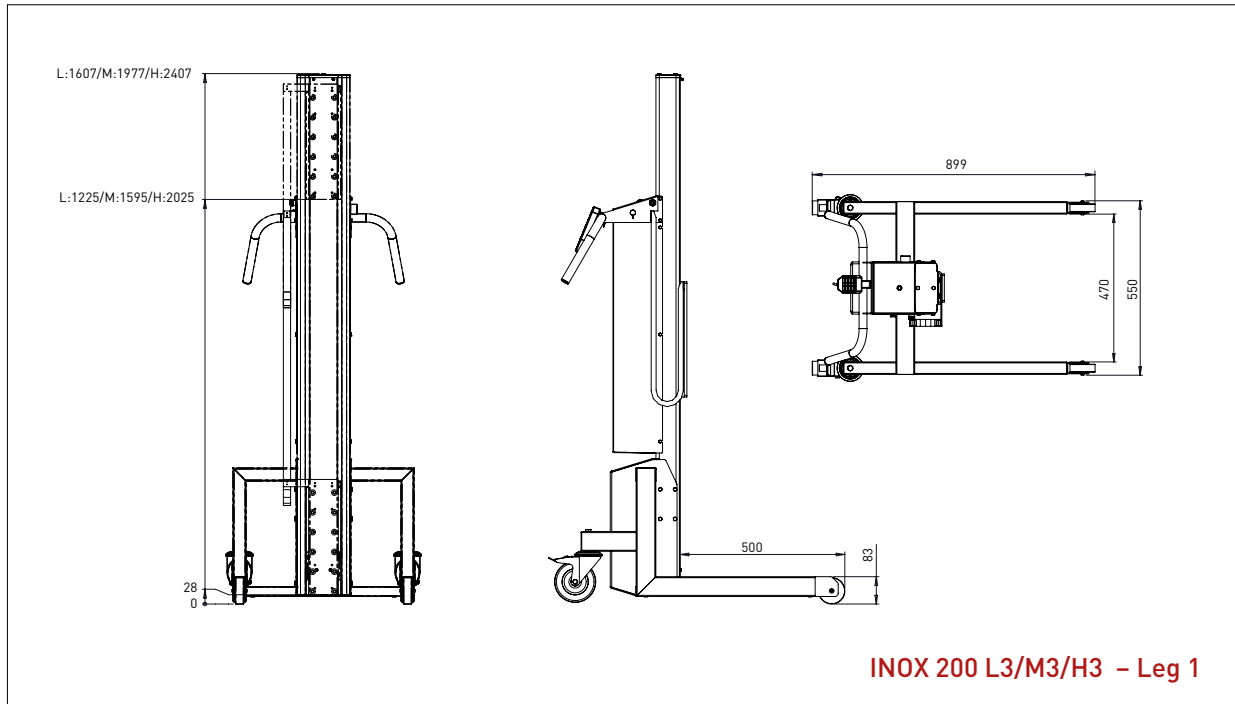
- All measurements in mm



# INOX 200 FOR ELECTRIC TOOLS

## LIFTERS - DRAWINGS & MEASUREMENTS

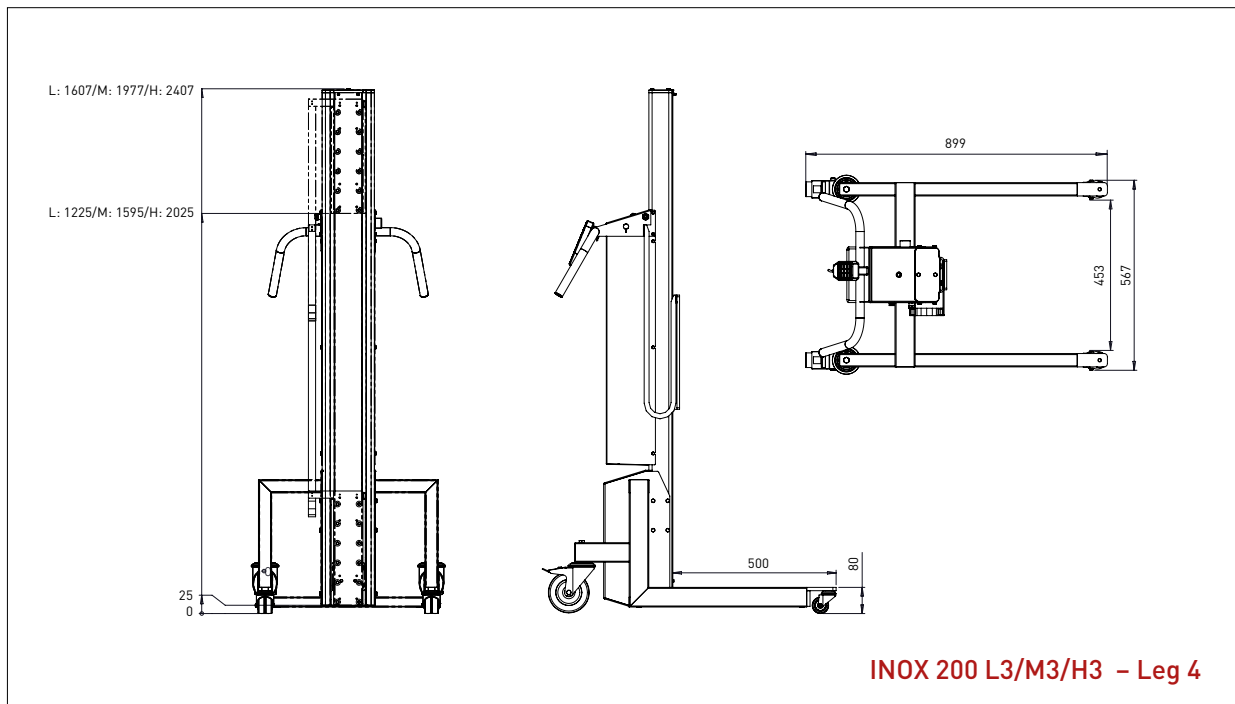
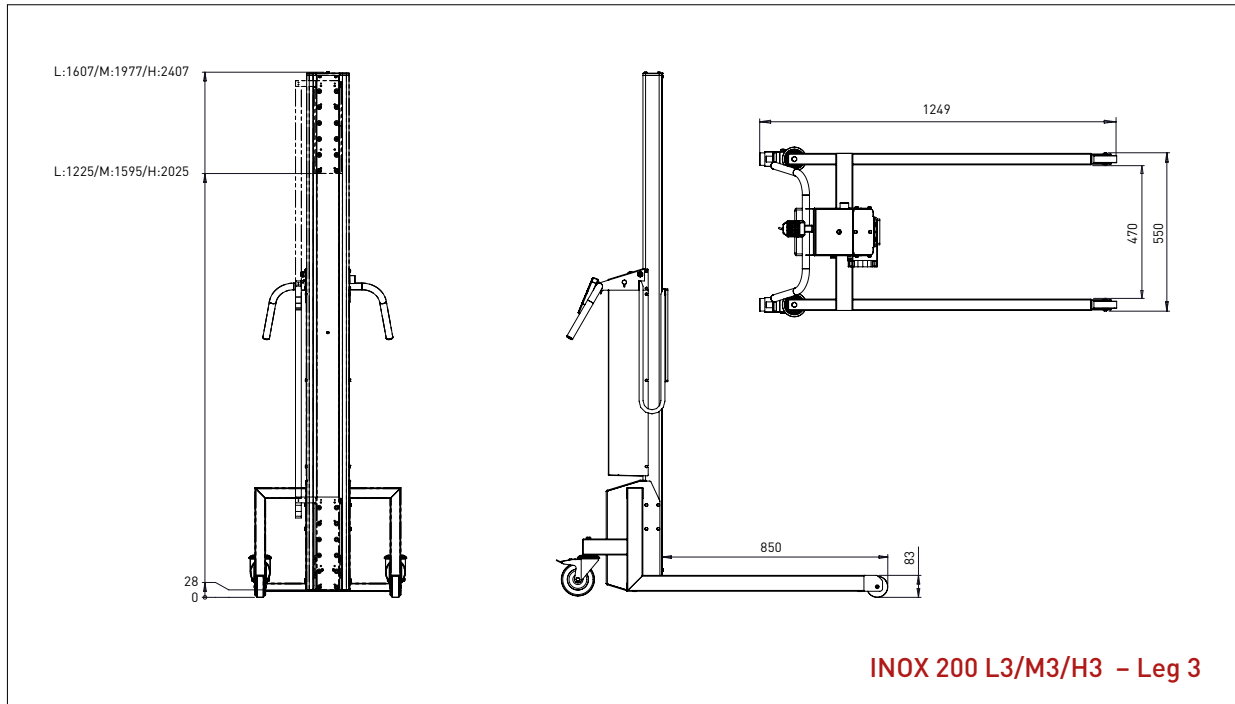
- All measurements in mm



# INOX 200 FOR ELECTRIC TOOLS

## LIFTERS - DRAWINGS & MEASUREMENTS

- All measurements in mm

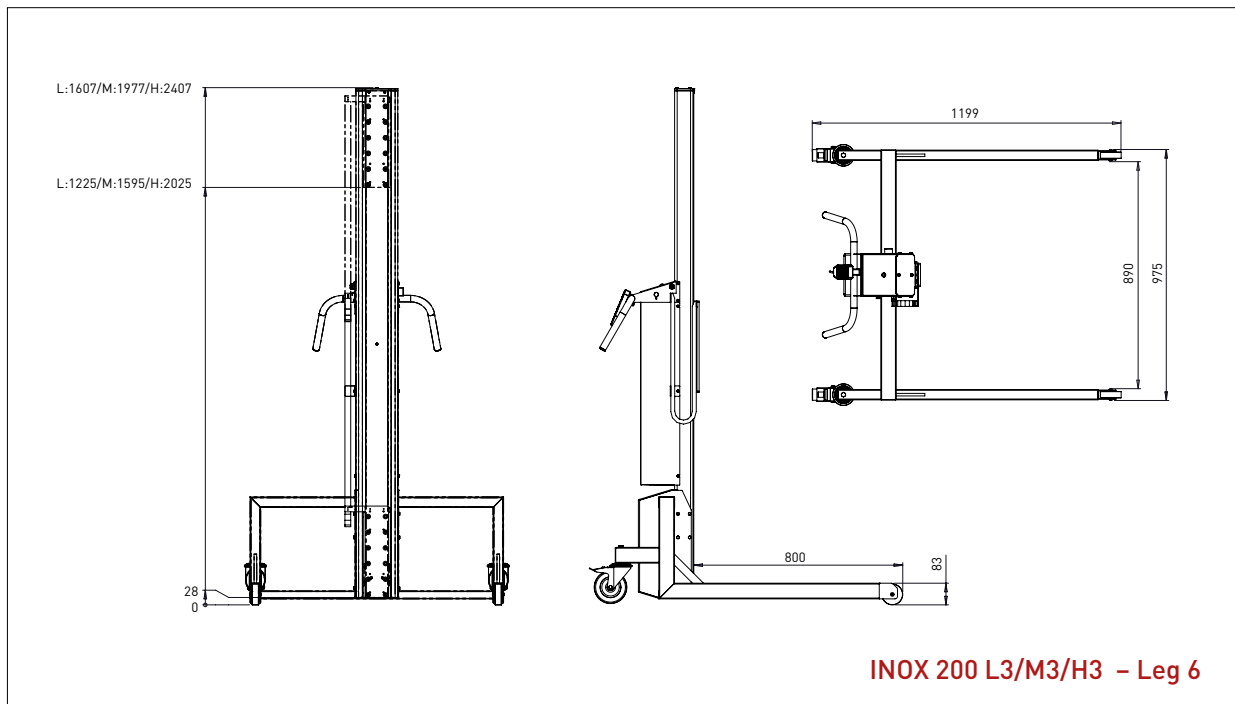
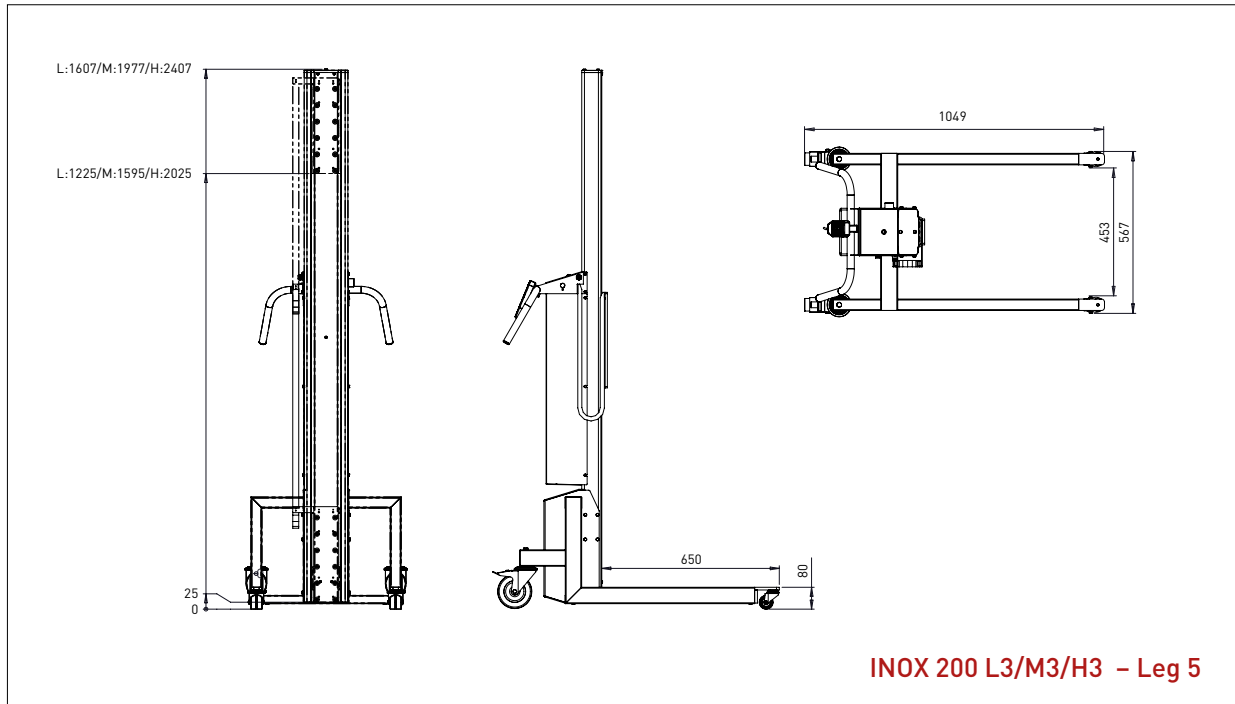




# INOX 200 FOR ELECTRIC TOOLS

## LIFTERS - DRAWINGS & MEASUREMENTS

- All measurements in mm



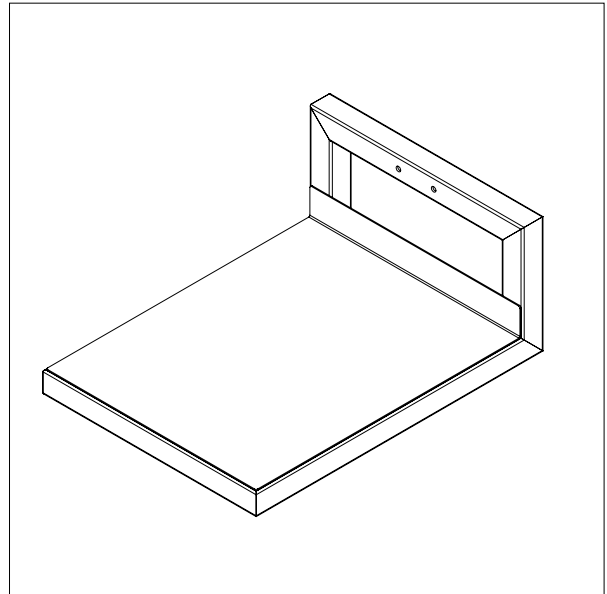
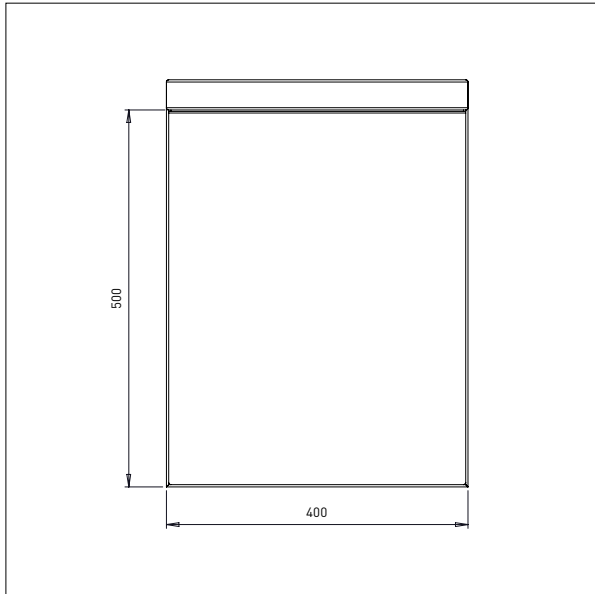
# INOX 200 / TOOLS

## PLATFORMS STAINLESS

- All measurements in mm

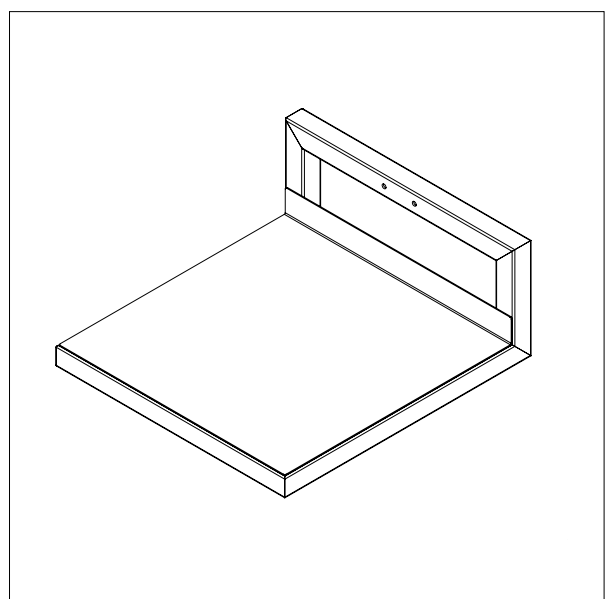
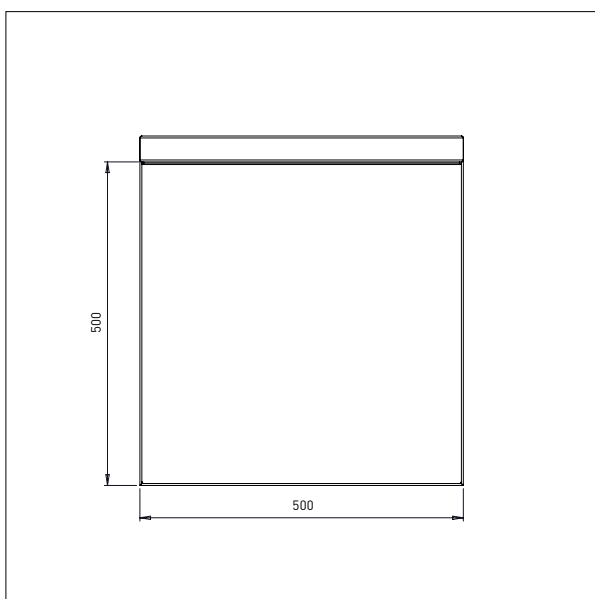
### PLATFORM STAINLESS – EP3

L x W: 500 x 400 mm



### PLATFORM STAINLESS – EP4

L x W: 500 x 500 mm



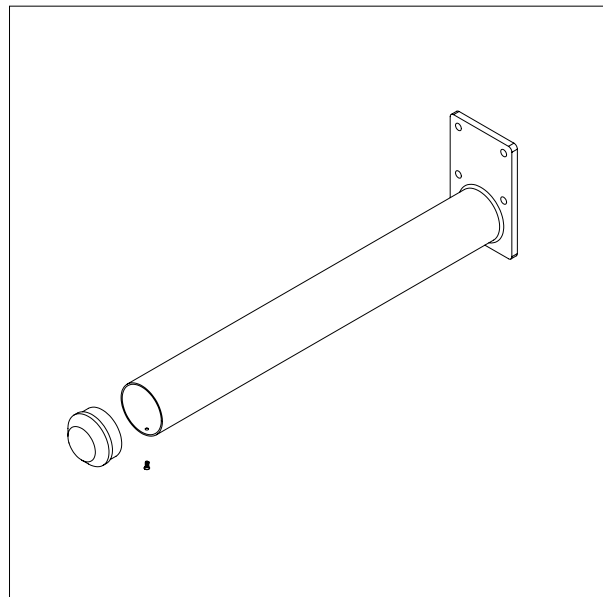
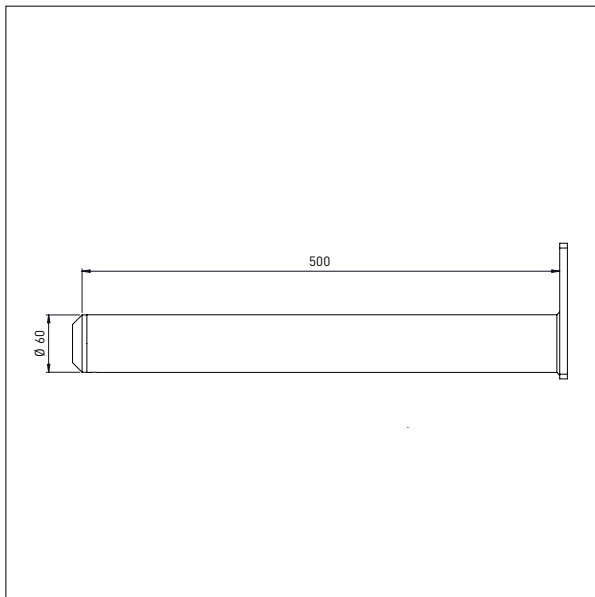
# INOX 200 / TOOLS

## BOOMS

- All measurements in mm

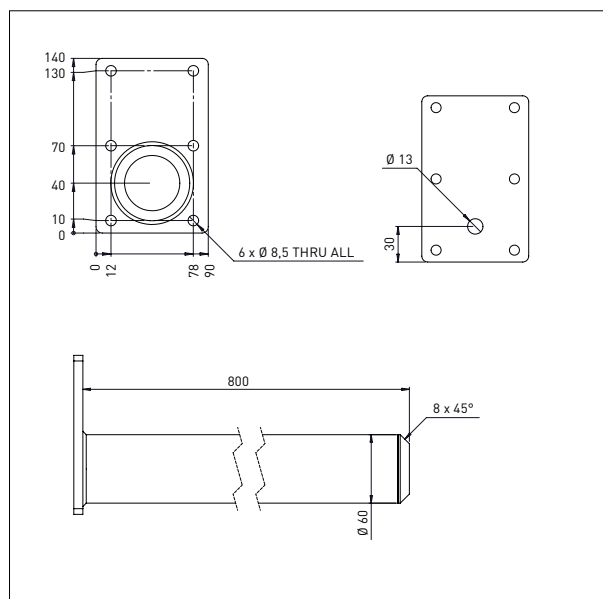
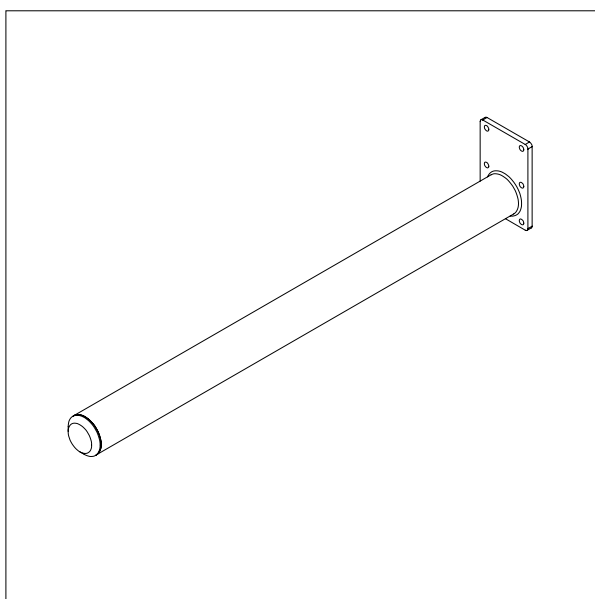
### BOOM - D3

Ø x L: 60 x 500 mm



### BOOM - D4

Ø x L: 60 x 800 mm



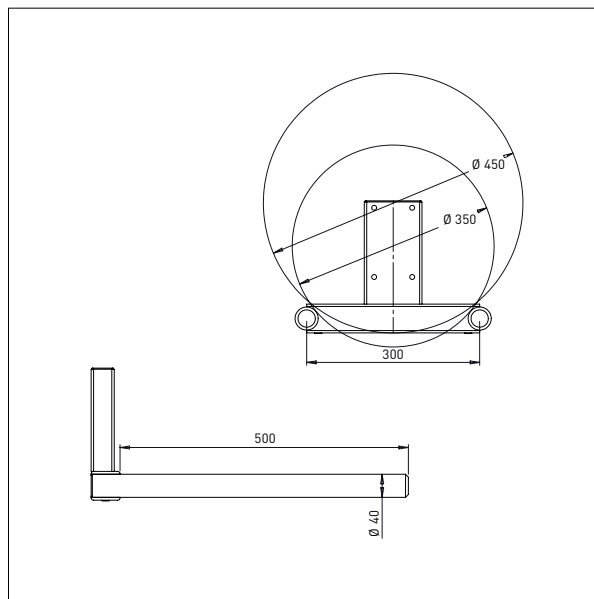
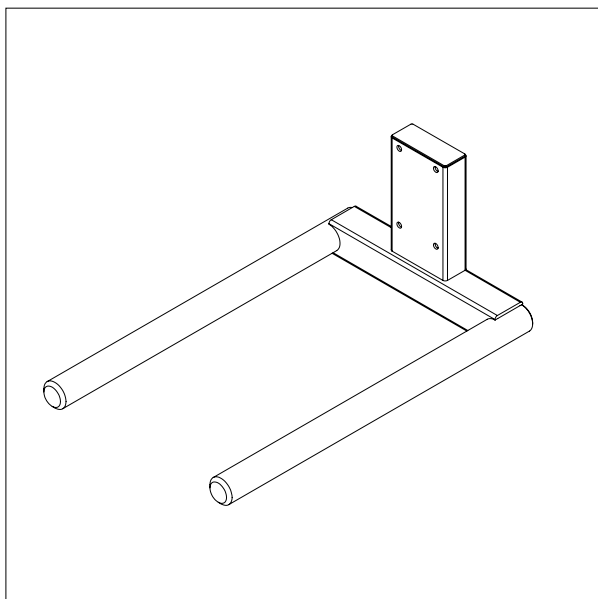
# INOX 200 / TOOLS

## DOUBLE BOOMS

- All measurements in mm

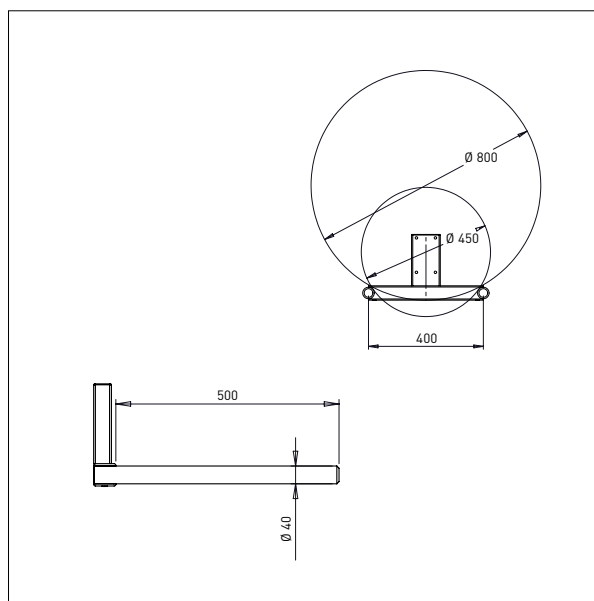
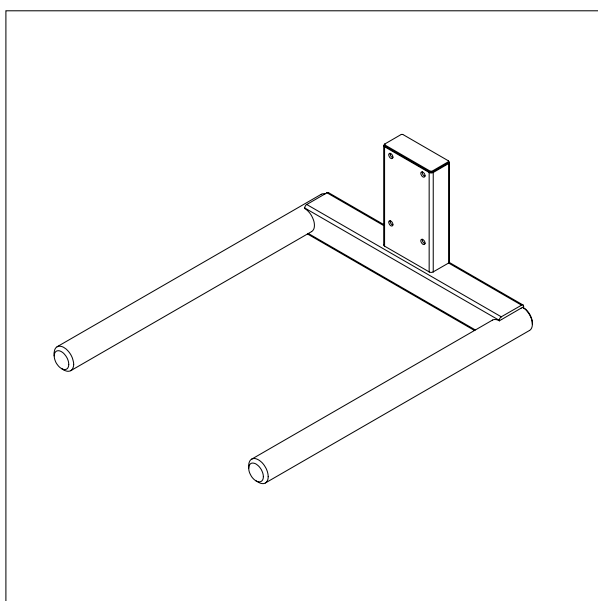
### DOUBLE BOOM – DD3

Ø x L x W: 40 x 500 x 300 mm



### DOUBLE BOOM – DD4

Ø x L x W: 40 x 500 x 400 mm



# INOX 200 / TOOLS

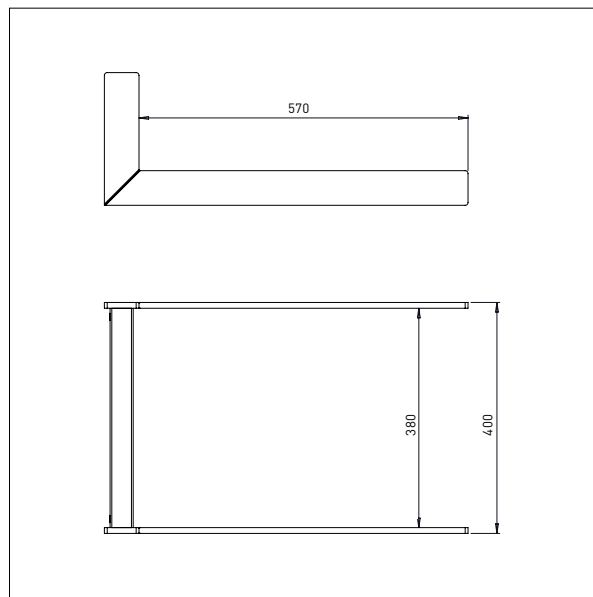
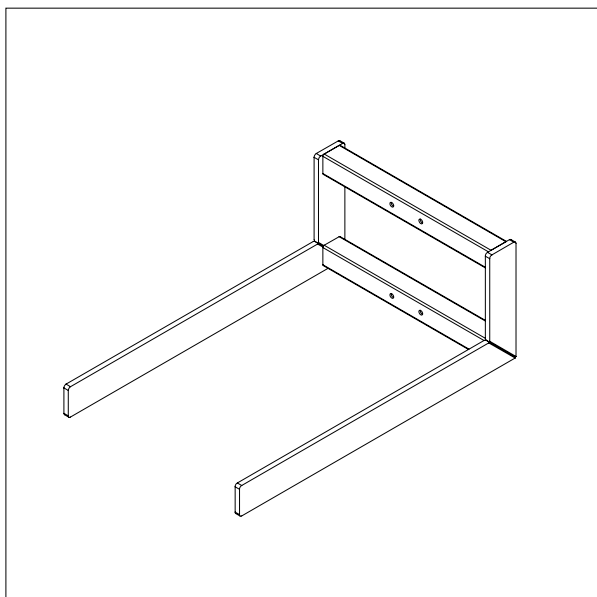
## FORKS

- All measurements in mm

### FORK - G3

L x W: 570 x 400 mm

For 600 x 400 mm boxes



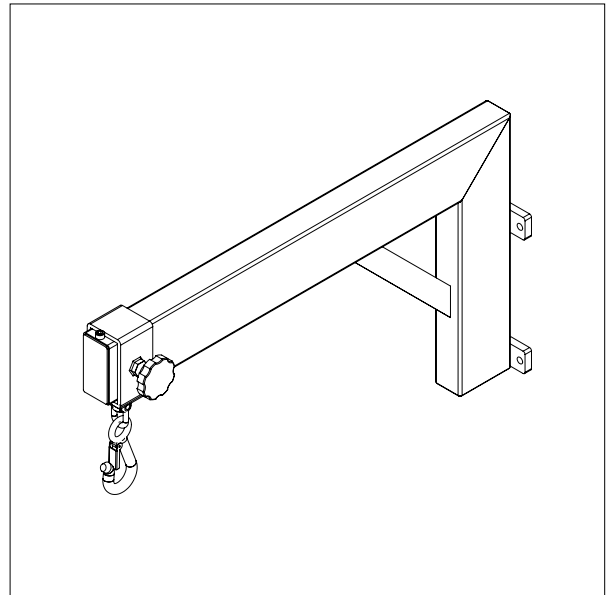
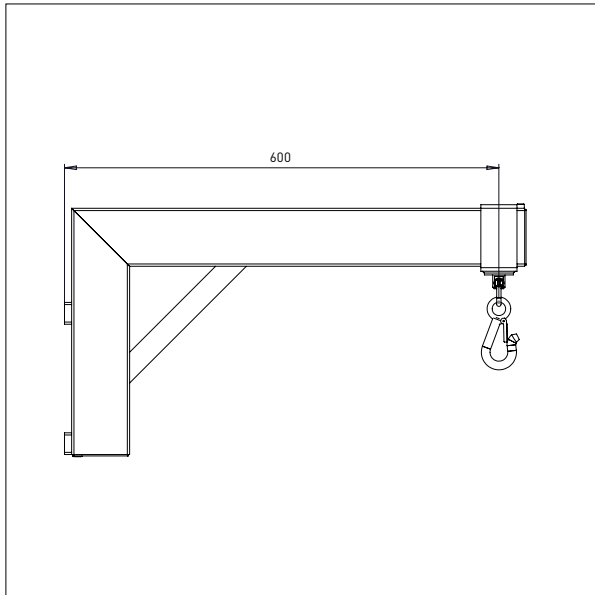
# INOX 200 / TOOLS

## CRANE ARMS

- All measurements in mm

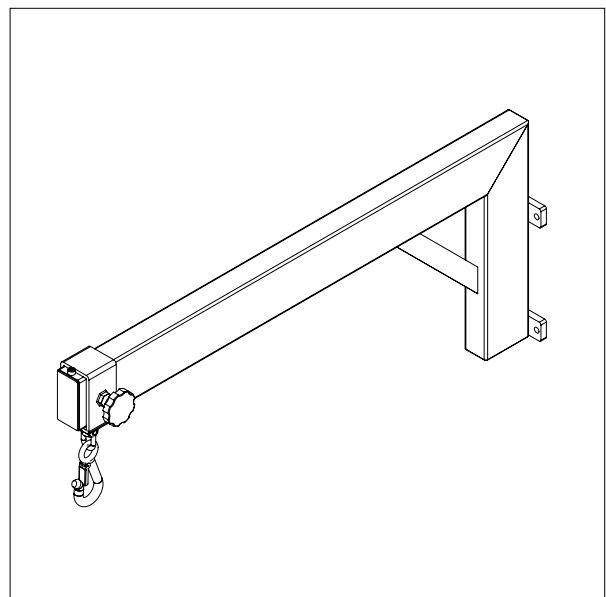
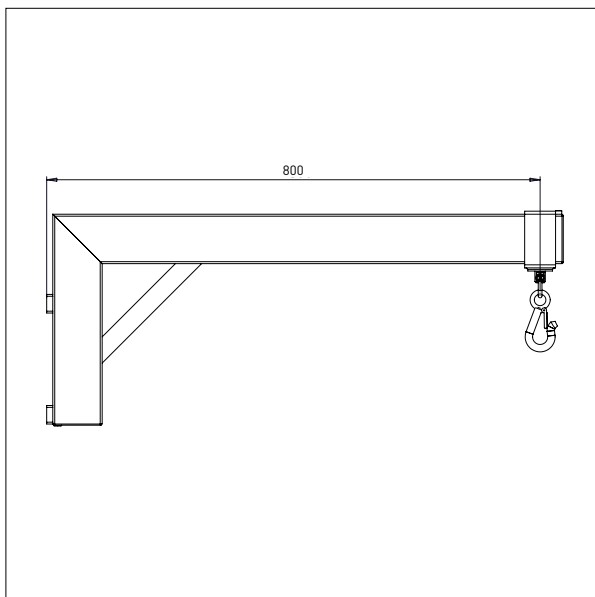
### CRANE ARM - KA3

L: 600



### CRANE ARM - KA4

L: 800

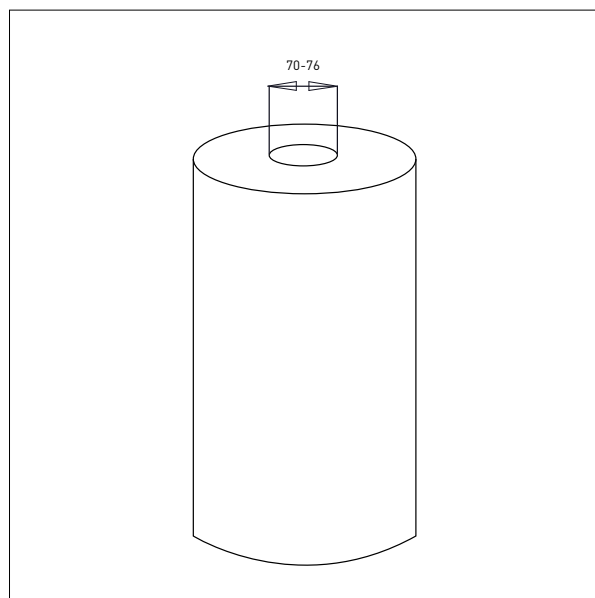
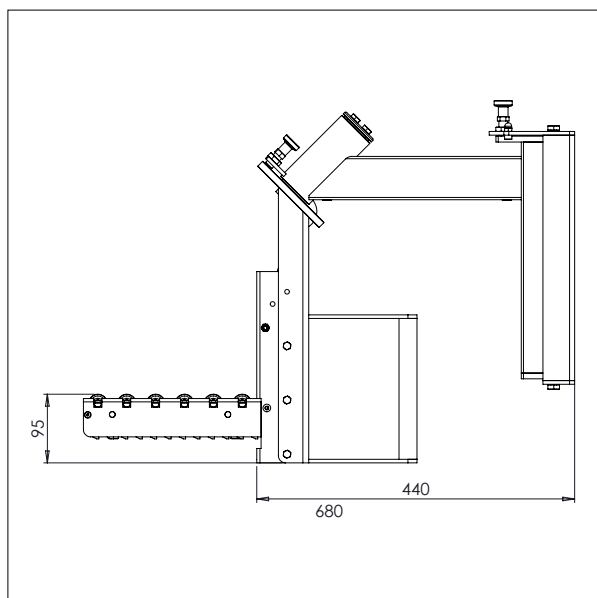
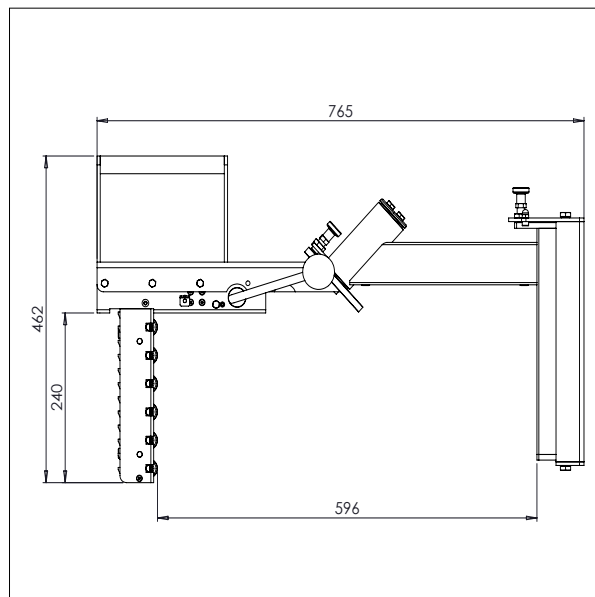
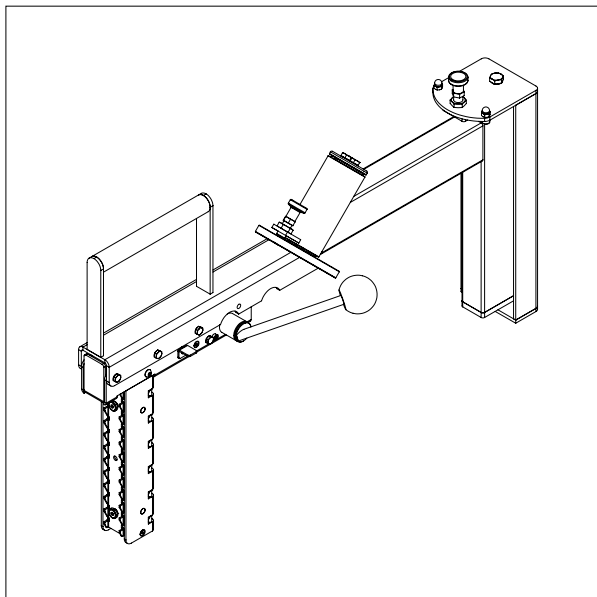


# INOX 200 / TOOLS

## REEL MANIPULATOR

- All measurements in mm

### REEL MANIPULATOR - MRP2



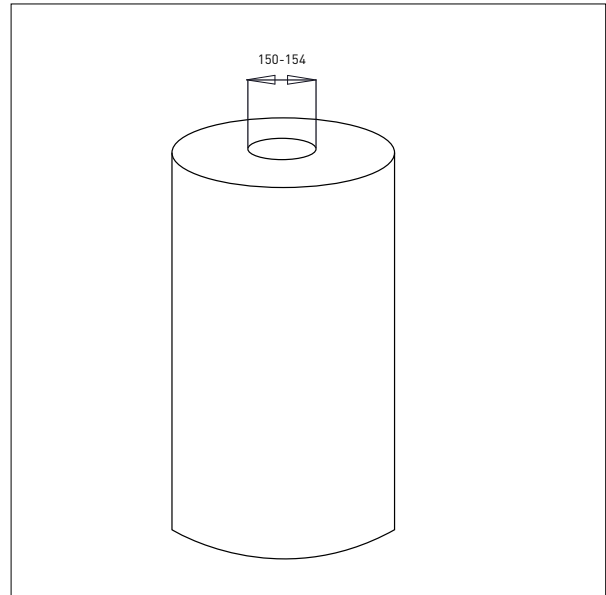
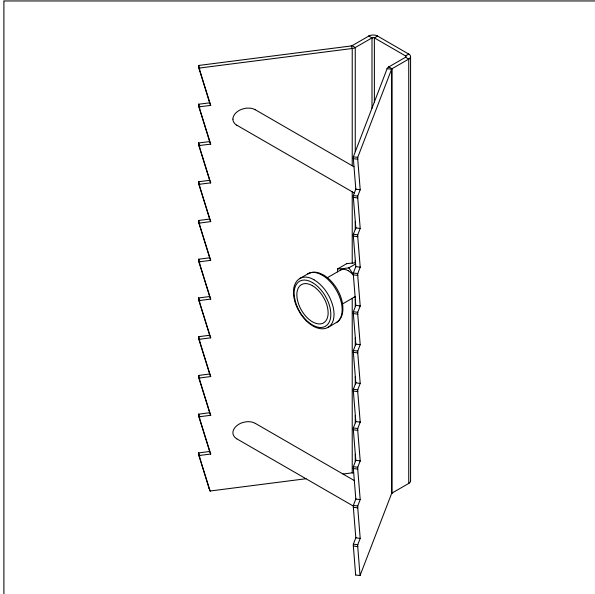
# INOX 200 / TOOLS

## MANDRIL ENLARGERS

- All measurements in mm

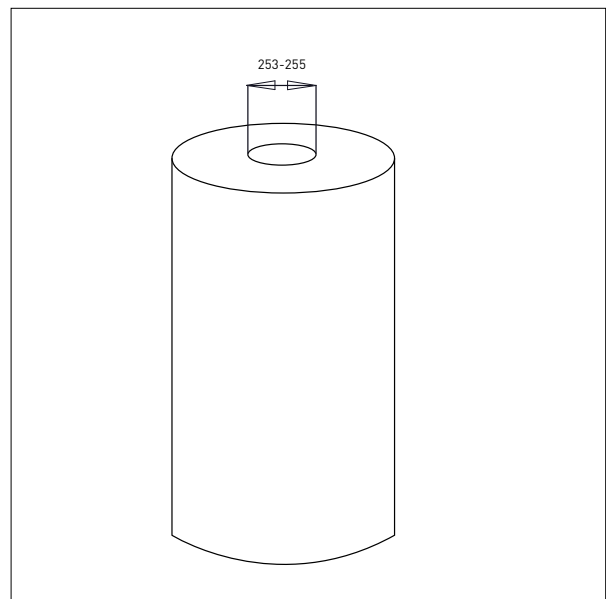
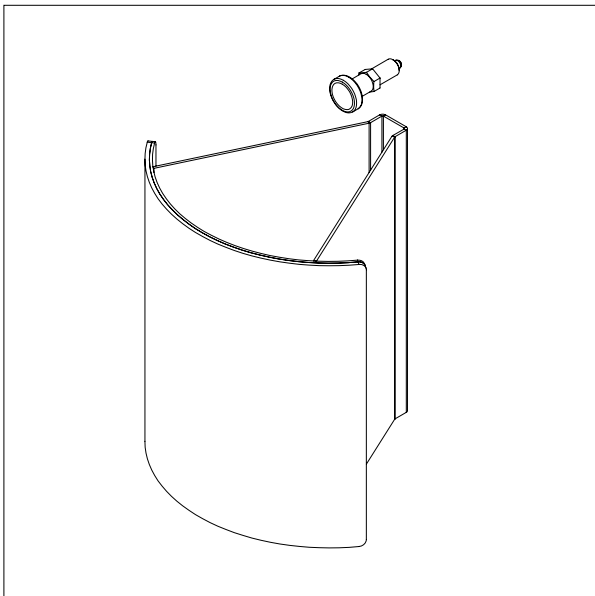
### MANDRIL ENLARGER - CL1

For:  $\varnothing 152$  mm/6"



### MANDRIL ENLARGER - CL2

For:  $\varnothing 254$  mm/10"





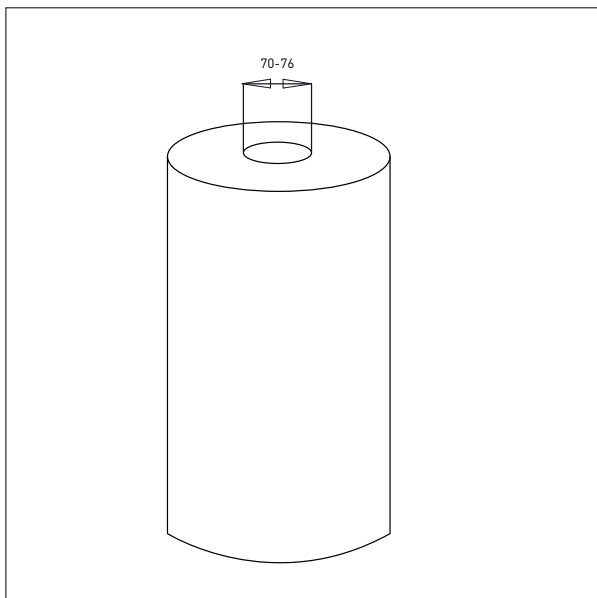
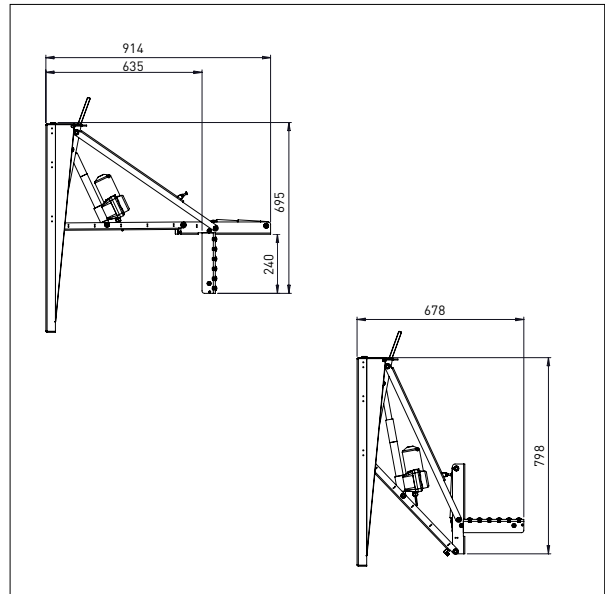
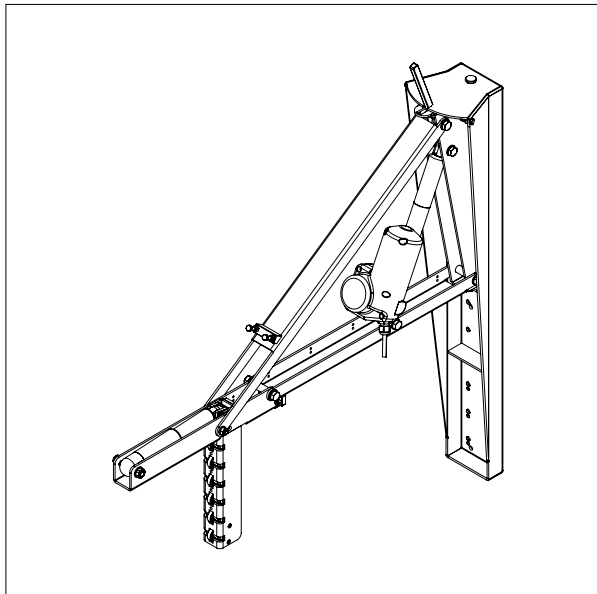
# INOX 200 / ELECTRIC TOOLS

## REEL MANIPULATOR

- All measurements in mm

### REEL MANIPULATOR - VER

Reel manipulator – Full Electric Reel Manipulator



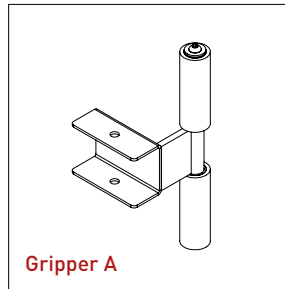
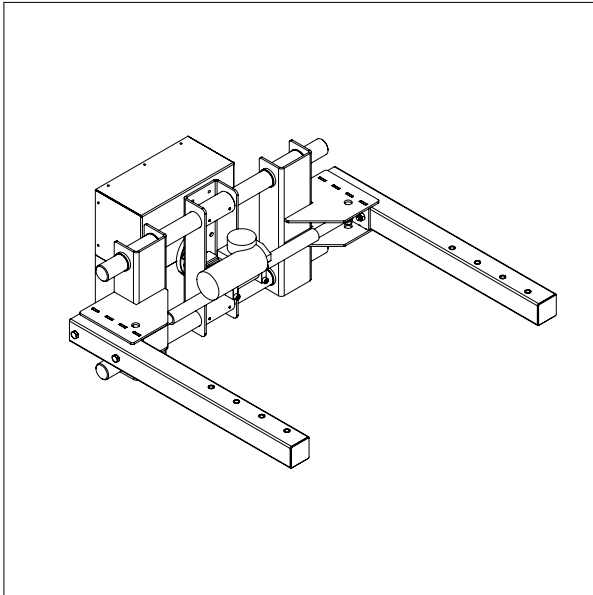
# INOX 200 / ELECTRIC TOOLS

## LINEAR GRIPPING

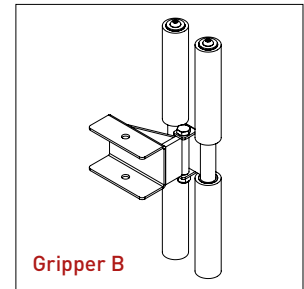
- All measurements in mm

### LINEAR CLAMP – EG6

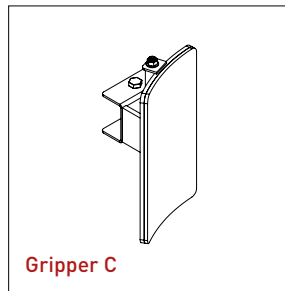
Linear gripping with sideways turning function



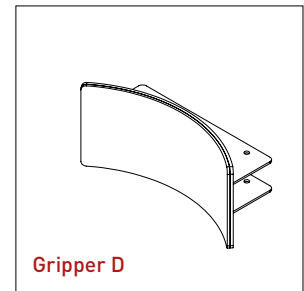
Gripper A



Gripper B



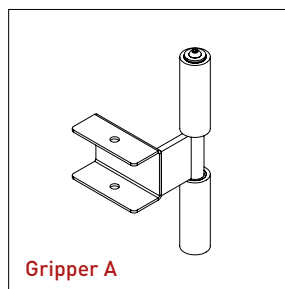
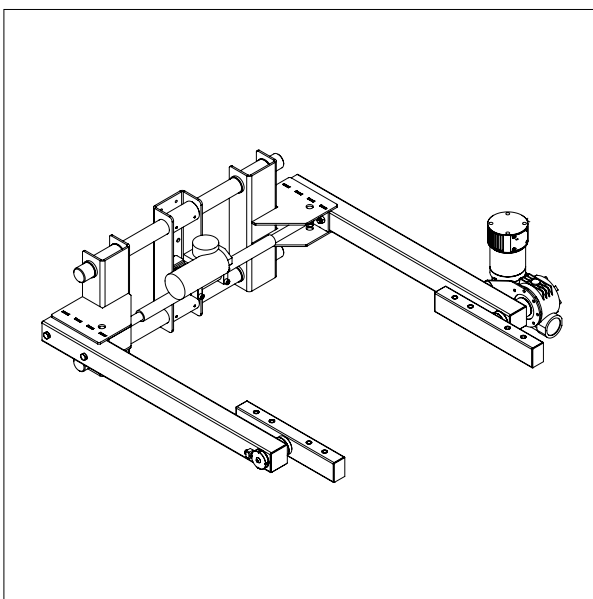
Gripper C



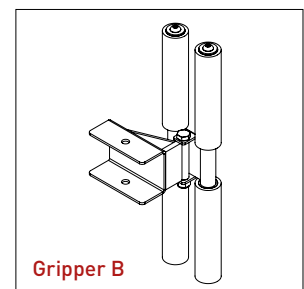
Gripper D

### LINEAR CLAMP – EG8

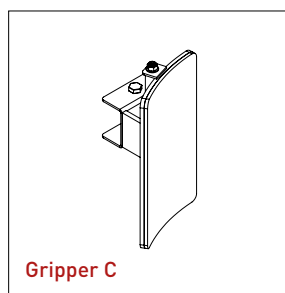
Linear gripping with forward turning function



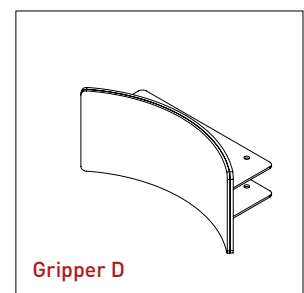
Gripper A



Gripper B



Gripper C



Gripper D

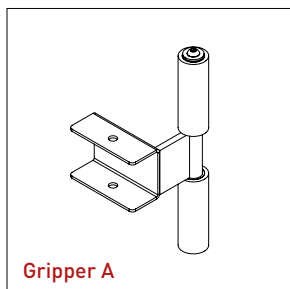
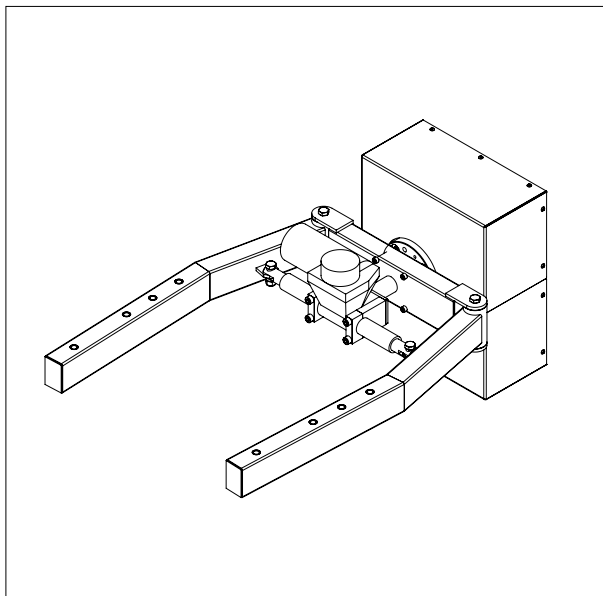
# INOX 200 / ELECTRIC TOOLS

## QUICK CLAMP

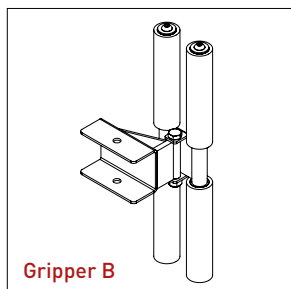
- All measurements in mm

### QUICK CLAMP – QC6

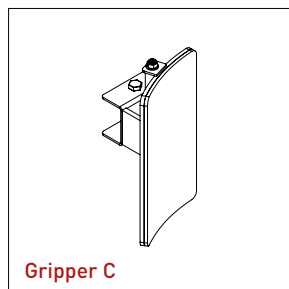
With turning function



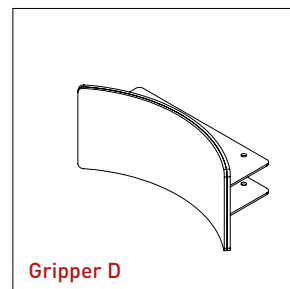
Gripper A



Gripper B



Gripper C



Gripper D